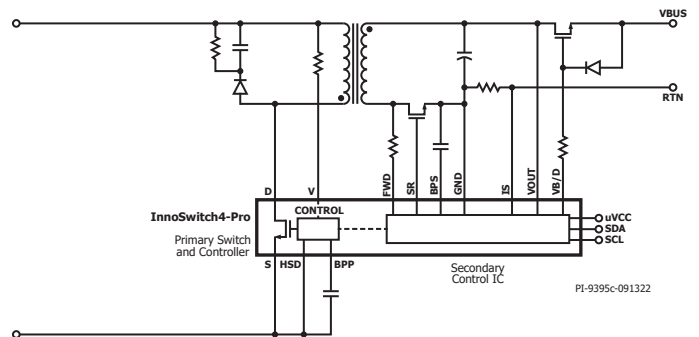
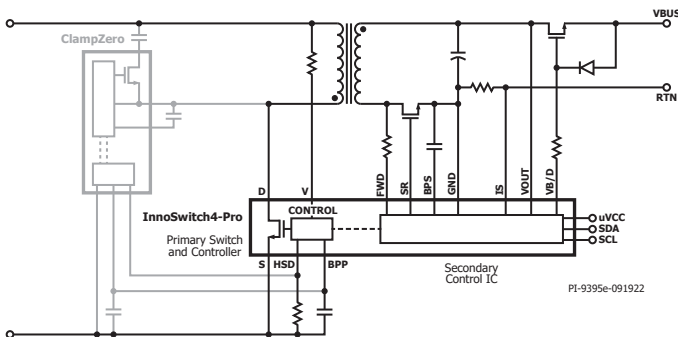


InnoSwitch™ 4-Pro

- Digitally controllable, 95% efficient flyback conversion
 - High-frequency active clamp with zero-voltage switching (ZVS)
 - Robust 750 V rated, low-loss PowiGaN™ switch
 - No heat sink design up to 220 W with PFC input
- Integrated FluxLink™ feedback
- Comprehensive fault protection & telemetry
- Configurable via I²C interface bus

Off-Line CC/CV Active Clamp ZVS/QR Flyback Switcher IC



Applications

- High-density flyback designs up to 220 W
- Multiprotocol adapters including USB PD + PPS, QC, VOOC, VFC, SC
- High efficiency, compact USB PD + PPS adapters



InSOP™-T28D Package

Output Power

ACF Mode

Part Number	230 VAC ±15%		85 – 265 VAC	
	Adapter (W)	Open Frame (W)	Adapter (W)	Open Frame (W)
INN4373F	70	75	60	70
INN4374F	85	90	75	85
INN4375F	90	100	80	90
INN4376F	115	125	100	115
INN4377F	135	145	115	135
	385 VDC (PFC Input)			
	Adapter (W)		Open Frame (W)	
INN4474F	155		170	
INN4475F	160		180	
INN4476F	180		200	
INN4477F	200		220	

QR Mode

Part Number	230 VAC ±15%		85 – 265 VAC	
	Adapter (W)	Open Frame (W)	Adapter (W)	Open Frame (W)
INN4574F	80	90	65	85
INN4575F	90	100	75	90
INN4576F	105	125	80	115
INN4577F	125	145	90	135
	385 VDC (PFC Input)			
	Adapter (W)		Open Frame (W)	
INN4674F	145		170	
INN4675F	155		180	
INN4676F	170		200	
INN4677F	185		220	

Design Support

Data Sheet InnoSwitch4-Pro data sheet (www.power.com/innoswitch4-pro-data-sheet)

Design Example 65W USB PD 3.0 + PPS Using INN4373F-H341 + CPZ1075M (RDR-942)
(www.power.com/der-942)

Design Example 100W USB PD 3.0 + PPS using INN4375F-H341, CPZ1075M and HiperPFS™-5 PFS5274F (DER-960)
(www.power.com/der-960)